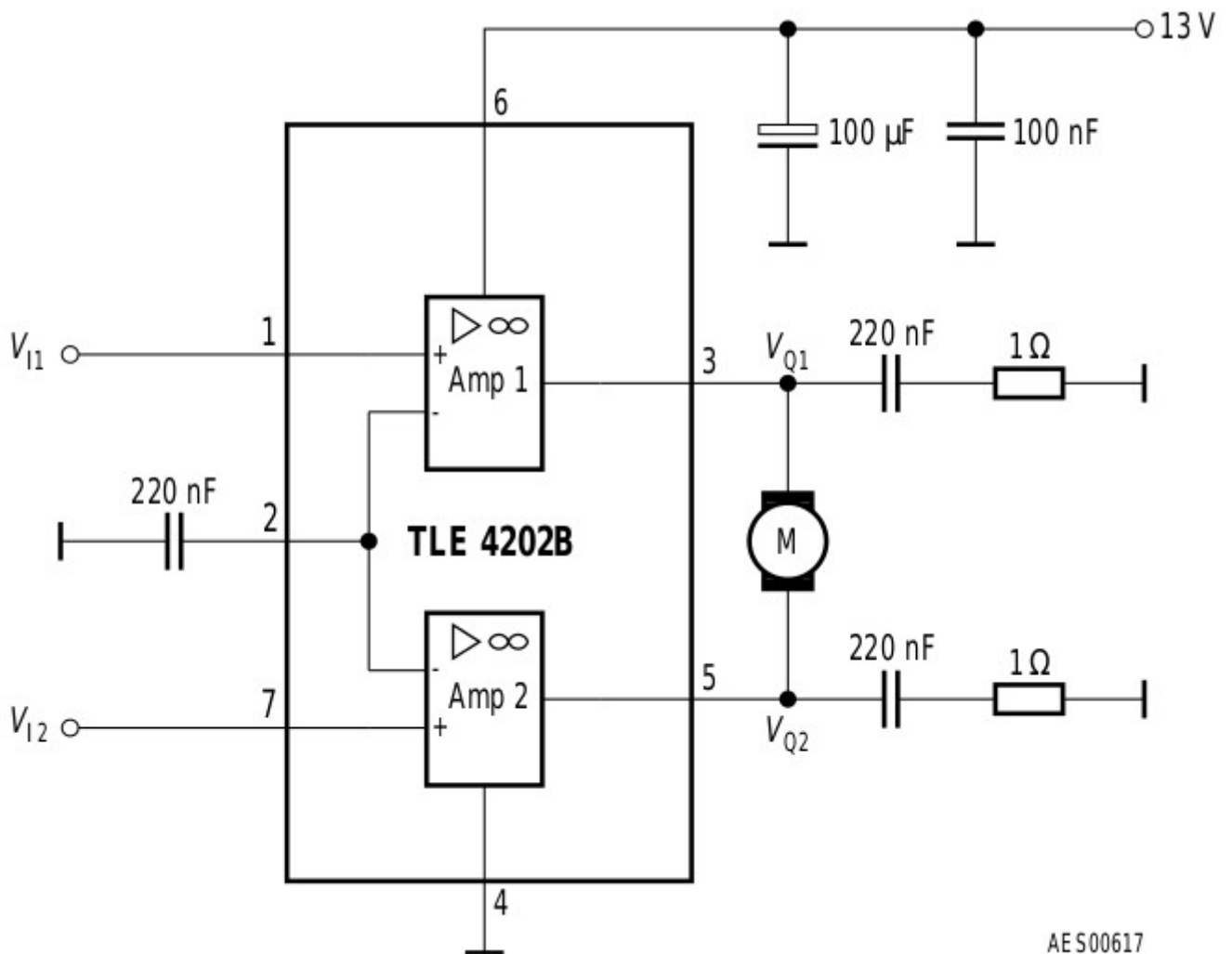


Pin No.	Symbol	Function
1	I1	Input 1 Non-inverting input 1, to be connected to pin 2 and pin 3 according to general rules
2	I3	Inverting input 3 Inverting inputs of the two comparators; internally connected to reference voltage across 50 kΩ (typ. 1.7 V)
3	Q1	Output Q1 Push-pull output B DC-short-circuit proof to ground. Integrated free-wheel diodes to ground and to supply voltage
4	GND	Ground
5	Q2	Output Q2 , see pin 3
6	V _s	Supply voltage Has to be blocked to ground with a ceramic capacitor of at least 100 nF directly at the pins of the ICs
7	I2	Input 2 Non-inverting input 2; see pin 1



AES00617